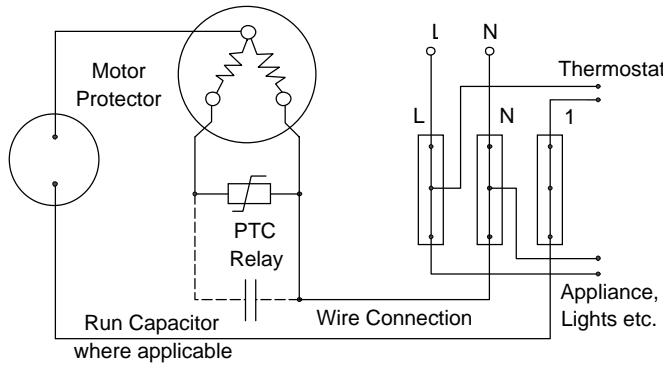
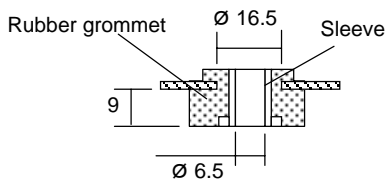


Circuit Diagram for U.H. Terminal Board

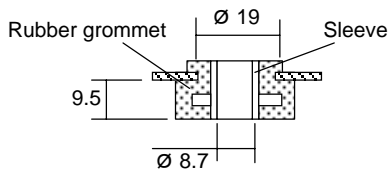


Mounting Accessories

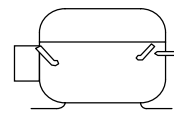
Standard feet



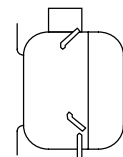
Special feet



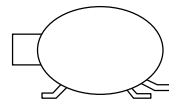
Recommended Transport Positions when fitted into appliances



Upright



Electrics Up



Tubes Down

Data Plate

